

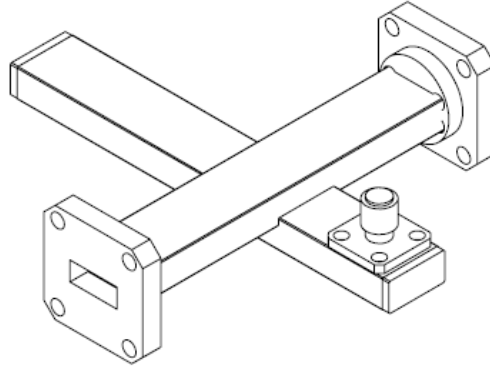


Model Number:  
**WGC-XX-197133**

RF Components

# C-Band Waveguide Cross Guide Coupler

3.30-4.90 GHz



Specification			
WG Size	WG11 / WR229 / R40		
Coupling	20±1.5 dB	30±1.0 dB	40±1.0 dB
Frequency Range	3.30-4.90 GHz		
Finish	Brass Flanges Copper WG Black Paint		
Flange Options	CPR 229G (CG) / CPR 229F (CF) PDR 40 (PD) / UDR 40 (UD)		
RF Connector Options	50 Ω SMA Male (S4) /Female (S5) 50 Ω N-type Male (N4) /Female (N5)		
Main Line VSWR / Return Loss (max)	1.3:1	1.2:1	1.05:1
Directivity (typ)	20 dB	20 dB	20 dB

Model Numbers						
Example: WGC-20-197133-UBPB5						
WG	C	20	197133	UB	PB	N5
Waveguide	C-Cross Guide D-Dual Arm B-Broad wall	Coupling Factor	Model Number	Flange 1	Flange 2	RF connector

## Broadcast



## Marine Oil & Gas



## SNG & VSAT



## Satellite Teleport

